

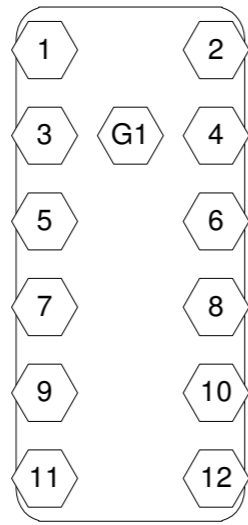
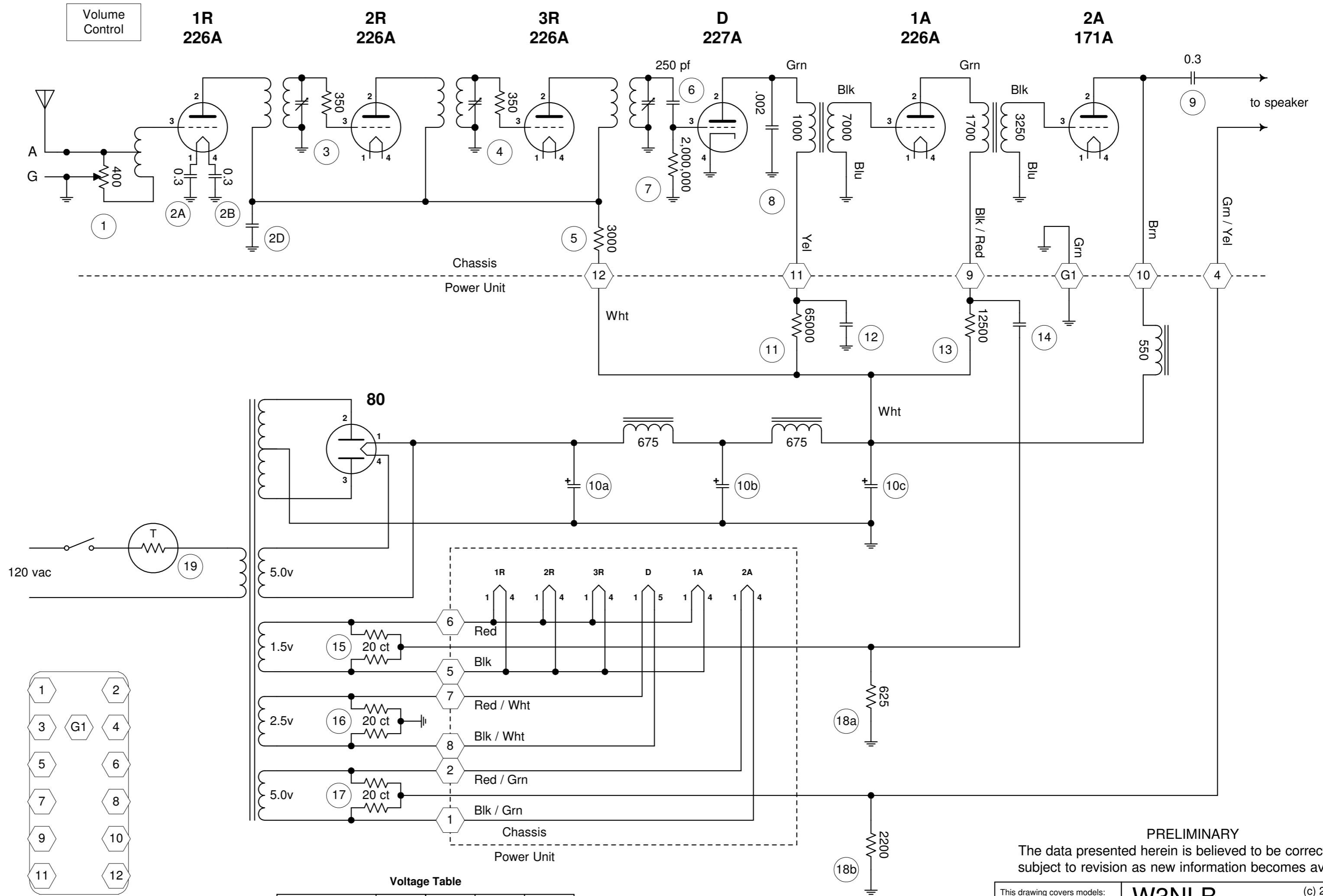
REF	PART NO.	VALUE	DESCRIPTION
1	13604	400	Volume control
2A	15158	0.3 / 200v	RF filament bypass
2B	15158	0.3 / 200v	RF filament bypass
2C	15158	0.2 / 400v	(not used)
2D	15158	0.05 / 400v	RF B+ bypass
3	8439	350	No. 1 grid resistor
4	8439	350	No. 2 grid resistor
5	13369	3000	RF plate circuit resistor
6	8112	250 pfd / 500v	Det. grid condenser
7	15892	2 Meg	Det. grid leak
8	9598	0.002 / 500v	Phone condenser
9	14902	0.3 / 450v	Speaker filter condenser

The following components are located in the Power Unit

10a	17159 (C-6)	1.0 / 450v <sup>1</sup>	Filter condenser #1
10b	17159 (C-6)	1.0 / 450v <sup>1</sup>	Filter condenser #2
10c	17159 (C-6)	1.5 / 450v <sup>1</sup>	Filter condenser #3
11	15592	65,000	Detector plate resistor
12	?	0.5 / 350v <sup>1</sup>	Detector filter condenser
13	15941	12,500	1st AF plate resistor
14	?	0.5 / 350v <sup>1</sup>	1st AF bypass condenser
15	9434	20 ct	RF-1st AF filament shunt resistor
16	9434	20 ct	Detector filament shunt resistor
17	9434	20 ct	2nd AF filament shunt resistor
18	13538	625 & 2200	RF-1st AF bias & 2nd AF bias
19	13645	28 (cold)	AC line regulator (ballast) <sup>2</sup>

**Notes**  
1 - Values from non-AK sources. AK factory information not available.  
2 - Ballast is not used in Model 40.

REV	DATE	DESCRIPTION
E	30 Mar 2004	Corrected the resistance of the two filter chokes.
D	10 Jan 2004	Changed PU terminal designators to agree with Ken Owens' OTB article.
REVISIONS		



**Voltage Table**

Element	Tube	1-3R	D	1A	2A
Plate		170±10	45	155	180
Grid		-13		-13	-45

All voltages measured from tube -F with volume at maximum. Taken with 1000 ohm-per-volt meter at 120 volt line. Reduce by 9% for 110 volt line.

**NOTE**  
This schematic is 11 x 19 inches. The 300 dpi GIF should print legibly on 8½ x 11 or 8½ x 14 paper.

PRELIMINARY  
The data presented herein is believed to be correct, but is subject to revision as new information becomes available.

This drawing covers models: 40 9800 42 9850 52 9930 56 13900 57 14000		<b>W3NLB</b> All Rights Reserved	
		<b>Atwater Kent Models 40, 42, 52, 56 &amp; 57</b> <b>Schematic Diagram</b>	
Drawn by: Leigh Bassett W3NLB	Size B	FSCM NO	DWG NO AK09800SCH
Date: 30 Mar 2004	SCALE	SHEET 1 OF 1	